

# 4601

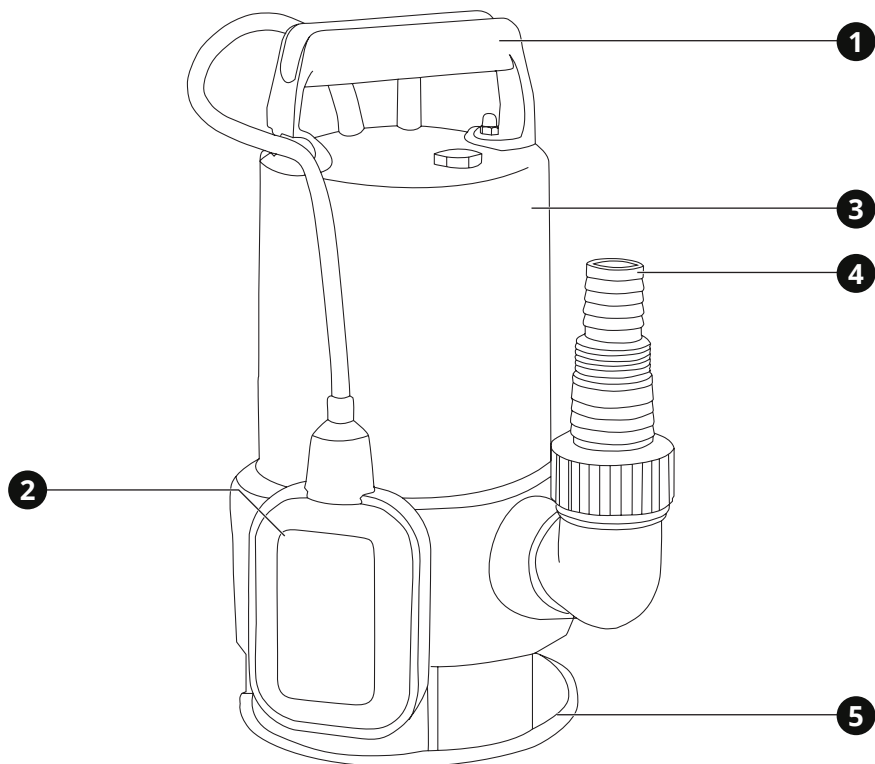
## SUBMERSIBLE DIRTY WATER PUMP

ΥΠΟΒΡΥΧΙΑ ΑΝΤΛΙΑ ΑΚΑΘΑΡΤΩΝ ΥΔΑΤΩΝ



Operation manual  
Εγχειρίδιο χρήσης

EN | GR

**ENGLISH | EN****1. Overview****Tool description**

- 1** Handle
- 2** Float switch
- 3** Pump casing
- 4** Hose /Pipe connector G1" 1 - 1/4"
- 5** Base

## 2. General safety regulations

### **⚠ WARNING:**

**Disconnect the plug from the power source before making any assembly, adjustments or changing accessories.** Such preventative safety measures reduce the risk of starting the tool accidentally.

**Read carefully and understand all instructions before using the tool.**

When using power tools, the following instructions must be followed to prevent hazards such as electric shock, fire and/or serious injury.

### Work area safety

- ▶ Keep work area clean and well lit. Cluttered benches and dark areas invite accidents.
- ▶ Do not operate power tools in explosive atmospheres, such as in the presence of flammable liquids, gases or dust. Power tools create sparks which may ignite the dust or fumes.
- ▶ Keep children and bystanders away while operating a power tool. Distractions can cause you to lose control.

### Electrical safety

- ▶ Power tool plugs must match the outlet. Never modify the plug in any way. Do not use any adapter plugs with earthed (grounded) power tools. Unmodified plugs and matching outlets will reduce the risk of electric shock.
- ▶ Avoid body contact with earthed or grounded surfaces such as pipes, radiators, ranges and refrigerators. There is an increased risk of electric shock if your body is earthed or grounded.
- ▶ Do not expose power tools to rain or wet conditions. Water entering a power tool will increase the risk of electric shock.
- ▶ Do not abuse the cord. Never use the cord for carrying, pulling or unplugging the power tool. Keep cord away from heat, oil, sharp edges or moving parts. Damaged or entangled cords increase the risk of electric shock.
- ▶ When operating a power tool outdoors, use

an extension cord suitable for outdoor use. Use of a cord for outdoor use reduces the risk of electric shock.

### Personal safety

- ▶ Stay alert, watch what you are doing and use common sense when operating a power tool. Do not use a power tool while you are tired or under the influence of drugs, alcohol or medication. A moment of distraction while operating power tools may result in serious personal injury.
- ▶ Use safety equipment. Always wear eye protection. Safety equipment such as dust mask, non-skid safety shoes, hard hat, or hearing protection used for appropriate conditions will reduce personal injuries.
- ▶ Avoid accidental starting. Ensure the switch is in the off-position before plugging in. Carrying power tools with your finger on the switch or plugging in power tools that have the switch on invites accidents.
- ▶ Remove any adjusting key or wrench before turning the power tool ON. A wrench or a key left attached to a rotating part of the power tool may result in personal injury.
- ▶ Do not overreach. Keep proper footing and balance at all times. This enables better control of the power tool in unexpected situations.
- ▶ Dress properly. Do not wear loose clothing or jewellery. Keep your hair, clothing and gloves away from moving parts. Loose clothes, jewellery or long hair can be caught in moving parts.
- ▶ If devices are provided for the connection of dust extraction and collection facilities, ensure these are connected and properly used. Use of these devices can reduce dust related hazards.

### Power tool use and care

- ▶ Do not force the power tool. Use the correct power tool for your application. The correct power tool will do the job better and safer for the purpose for which it was designed.
- ▶ Do not use the power tool if the switch does not turn it ON and OFF. Any power tool that cannot be controlled with the switch is dangerous and must be repaired.

- ▶ Disconnect the plug from the power source before making any adjustments, changing accessories or storing power tools. Such preventative safety measures reduce the risk of starting the power tool accidentally.
- ▶ Store idle power tools out of the reach of children and do not allow persons unfamiliar with the power tool or these instructions to operate the power tool. Power tools are dangerous in the hands of untrained users.
- ▶ Maintain power tools, check for misalignment or binding of moving parts, breakage of parts and any other condition that may affect the power tools' operation. If damaged, have the power tool repaired before use. Many accidents are caused by poorly maintained power tools.
- ▶ Keep cutting tools sharp and clean. Properly maintained cutting tools with sharp cutting edges are less likely to bind and are easier to control.
- ▶ Use the power tool, accessories and tool bits etc., in accordance with these instructions and in the manner intended for the particular type of power tool, taking into account the working conditions and the work to be performed. Use of the power tool for operations different from intended could result in a hazardous situation.

## Service

- ▶ Have your power tool serviced by a qualified repair person using only genuine replacement parts. This will ensure that the safety of the power tool is maintained.
- ▶ Follow instruction for lubricating and changing accessories.
- ▶ Keep handles dry, clean and free from oil and grease.

## 3. Specific safety regulations

DO NOT let comfort or familiarity with product (gained from repeated use) replace strict adherence to electric power tools' safety rules. If you use this tool unsafely or incorrectly, you can suffer serious personal injury.

- 1 Wear ear protectors. Exposure to noise can cause hearing loss.
- 2 Use auxiliary handles supplied with the tool. Loss of control can cause personal injury.
- 3 Hold power tools by insulated gripping surfaces when performing an operation where the cutting tool may contact hidden wiring or its own cord. Contact with a "live" wire will make exposed metal parts of the tool "live" and shock the operator.
- 4 Wear a hard hat (safety helmet), safety glasses and/or face shield. Ordinary eye or sun glasses are NOT safety glasses. It is also highly recommended that you wear a dust mask and thickly padded gloves.
- 5 Be sure the bit is secured in place before operation.
- 6 Under normal operation, the tool is designed to produce vibration. The screws can come loose easily, causing a breakdown or accident. Check tightness of screws carefully before operation.
- 7 In cold weather or when the tool has not been used for a long time, let the tool warm up for a while by operating it under no load. This will loosen up the lubrication.
- 8 Always be sure you have a firm footing. Be sure no one is below when using the tool in high locations.
- 9 Hold the tool firmly with both hands.
- 10 Keep hands away from moving parts.
- 11 Do not leave the tool running. Operate the tool only when hand-held.
- 12 Do not point the tool at any one in the area when operating. Parts could fly out and injure someone seriously.
- 13 Do not touch parts close to the bit immediately after operation; they may be extremely hot and could burn your skin.
- 14 Some material contains chemicals which may be toxic. Take caution to prevent dust inhalation and skin contact. Follow material supplier safety data.

## Additional safety regulations for pumps

- Do not use parts or attachments that are not supplied or recommended by the manufacturing supplier. Otherwise, the performance of the machine cannot be guaranteed.
- Do not install the pump by suspending it unsupported from its delivery pipe or power cable.
- To guarantee that the pump works properly, the bottom of the shaft must be kept free of sludge and dirt of all kinds.
- Before starting to run your new submersible pump, please have the following items checked by an expert: Ground connection and zero conductor.
- Fault current breaker switch must correspond the safety regulations of the power plants and they must work faultlessly.
- The electrical connections must be protected from moisture. If there is danger of flooding, the electrical connections must be taken to higher ground.
- Circulation of aggressive fluids, as well as the circulation of abrasive materials must be avoided at all costs.
- This pump may not be used for other fluids, especially motor fuels, cleaning fluids and other chemical products. Pollution of the liquid could occur due to leakage of lubricants.
- The submersible motor-driven pump must be protected from frost.
- The pump must be protected from running dry.
- The pump is not intended for use by persons (including children) with reduced physical, sensory or mental capabilities, or lack of experience and knowledge, unless they have been given supervision or instruction concerning use of the pump by a person responsible for their safety.
- The electrical installation shall be according to national wiring rules.
- If the level of water sinks too far, any sludge in the shaft will dry out quickly and stop the pump from starting up. It is necessary, therefore, to check the submersible motor pump

regularly (by carrying out start-up tests).

- The pump is to be supplied through a residual current device (RCD) having a rated residual operating current not exceeding 30 mA.
- The submersible motor pump must be suspended from the specially provided handle or be placed on the bottom of the shaft.

### SAVE THESE INSTRUCTIONS

#### **⚠ WARNING:**

*Misuse or failure to follow the safety rules stated in this instruction manual may cause serious personal injury.*

## 4. Functional description and specifications

### Intended use

This pump is used primarily as basement pump. When installed in a shaft, this pump provides protection from flooding. It is also used wherever water has to be moved from one place to another, e.g. at home, agriculture, horticulture, plumbing and many other applications.

#### **⚠ WARNING:**

*If the replacement of the supply cord is necessary, it has to be done by a professional to avoid a safety hazard.*

Tool	4601
Power supply	230V-50Hz
Power input	750 W
Max flow	13000 l/h
Max extraction height	8 m
Max pumping depth	8 m
Max grain size	35 mm
Max water temperature	35°C
Diameter of pipe	G1" 1 - 1/4"
Power cable	8 m
Weight	5 kg

### Installation

The submersible motor pump is installed as follows: In a stationary position with fixed pipeline or in a stationary position with a flexible hose pipe.

## Before start-up, note the following:

The pump can be connected to any shock-proof plug which has been installed according to regulations. The plug must have a supply voltage of 230 V ~ 50 Hz.

## Mains supply

Your submersible pump is equipped with a shock-proof plug according to regulations. The pump is designed to be connected to a 220/230 V ~ 50 Hz safety socket.

Make sure that the socket is sufficiently secured (min. 6 Amp) and is in excellent condition. Introduce the plug into the socket and the pump is ready to go.

## Setting to work

After having read these instructions carefully, you can set your pump to work, reconsidering the following topics:

- Check if the pump rests on the ground of the shaft.
- Check if pressure cord has been attached properly .
- Check if electrical connection is 230 V ~ 50 Hz.
- Check if socket is in good condition.
- Make sure that water and humidity can never come to the mains supply.
- Avoid pump running dry.

### **i** NOTE:

*The pump shaft should have minimum dimensions of 40 × 40 × 50 cm, so that the floating switch can move freely.*

## Setting the ON / OFF operating point

The ON and OFF operating point of the float switch can be set by adjusting the float switch in its latching holder. Before you put the pump into operation, please check the following:

- The float switch must be installed so that the level of the ON operating point and the level of the OFF operating point can be reached easily and with little force. To check this, place the pump in a vessel filled with water, raise the float switch carefully by hand and then lower it again. As you do so, note whether the pump switches on and off.

- Make sure that the distance between the float switch head and the latching holder is not too small. Proper operation is not guaranteed if the gap is too small.
- When you set the float switch, make sure that it does not touch the base before the pump switches off.

### **!** CAUTION:

*Risk of dry-running. Avoid the pump running dry.*

## 5. Maintenance

Correct and regular cleaning will improve the safety and extend the lifespan of the device.

### **For safe and proper working, always keep the tool and ventilation slots clean.**

The tool may be cleaned most effectively with compressed dry air or with a soft cloth moistened with soapy water. **Always wear safety goggles when cleaning tools with compressed air.**

**Certain cleaning agents and solvents damage plastic parts.** Some of these are: gasoline, carbon tetrachloride, chlorinated cleaning solvents, ammonia and household detergents that contain ammonia.

Store the tool, operating instructions and where necessary the accessories in the original packaging. In this way you will always have all the information and parts ready to hand.

### **!** WARNING:

*Turn the device off, disconnect it from the mains and wait until it cools down before cleaning or maintenance to avoid electric shock or burn.*

## Maintenance guidelines

- Remove the mains plug before all maintenance work.
- In the event that the pump is often transported in the course of operation, it should be cleaned out with clear water after every use.
- In case of stationary installation, the function of the floating switch should be checked every 3 months. All fibrous particles which may have built-up inside the pump housing should be removed with a water jet.
- Every 3 months the shaft ground and impel-

ler should be cleaned from mud.

- Remove deposits on the floater with clear water.

## Cleaning the impeller

If excessive deposits collect in the pump case you must dismantle the bottom part of the pump as follows:

- 1 Remove the intake cage from the pump case.
- 2 Clean the impeller with clear water.
- 3 Assemble in reverse order.

### **!** IMPORTANT:

*Do not put down or rest the pump on the impeller!*



**Wear ear defenders**



**Wear safety goggles**



**Wear a dust mask**

## 6. Warranty

This tool has been checked by the manufacturer. From the date of purchase by the final consumer, a two year warranty for **amateur use** covers any faulty material and manufacturing. The receipt or invoice of purchase needs to be displayed in case of a repair that is covered by the warranty. For possible faults during the warranty period, you should address your issue to the retail shop from which the purchase was made.

### Terms of warranty

The warranty is valid only when:

- The tool has been used properly and for the purpose for which it was purchased.
- The tool presents a problem that is due to faulty material and manufacturing.
- Incapability of the tool to perform according to the technical specs provided.

Damages are not covered by the warranty that are due to causes such as:

- Wear due to improper use.
- Partial or total disassembly. The tool's shell must be disassembled only by personnel authorised by the official distributor.
- Damage due to overloading.
- Usage of incorrect or incompatible accessory.
- Bad maintenance from the operator or any other third party.
- Wear that was induced by external factors or rogue particles (dust, debris etc.)
- Wear due to non compliance with the instructions in this manual.

If, during the warranty period, there is a fault that can not be repaired from the authorised service department, the tool will be replaced without any extra cost.

## 7. Repair / Servicing

In case there is a need for a repair after the warranty period has expired, we will provide the best possible attention to repair the tool successfully.

## 8. Disposal



Do not dispose of electrical machines as unsorted municipal waste, use separate collection facilities.

Contact your local government collection systems for information regarding the collection systems available.

If electrical machines are disposed of in landfills or dumps, hazardous substances can leak into the groundwater and get into the food chain, damaging your health and well-being. When replacing old machines with new ones, the retailer will be happy to take back your old machine for disposal.

## 9. Declaration of Conformity

### Authorized Representative

**PAPADEAS S.A.**

4-6 Iroon 1912 St., 13671, Acharne, Greece

Herewith declares that:

The **Submersible Water Pump** with **CODE: 4601** and distinctive title: **Q1DP-750N2** under the brand **KRAUSMANN** (Description: water pump, 230V/50Hz, Input power: 750W, Max. height: 8m, Max. depth: 8m, Max. grain size 35mm, Pump rate: 13000l/h, Dia.Of Pipe: 1" and 1 1/4", Cable line 8m, in color box packing), is designed in conformity with provision of the Directives 2014/30/EU, 2014/35/EU and the following manufacturing standards: EN 55014-1:2017, EN 55014-2:2015, EN61000-3-2:2019, EN61000-3-3:2013+A1.

Year in which "CE" marking was affixed: Machine-year 2020

Date: May 29th, 2020

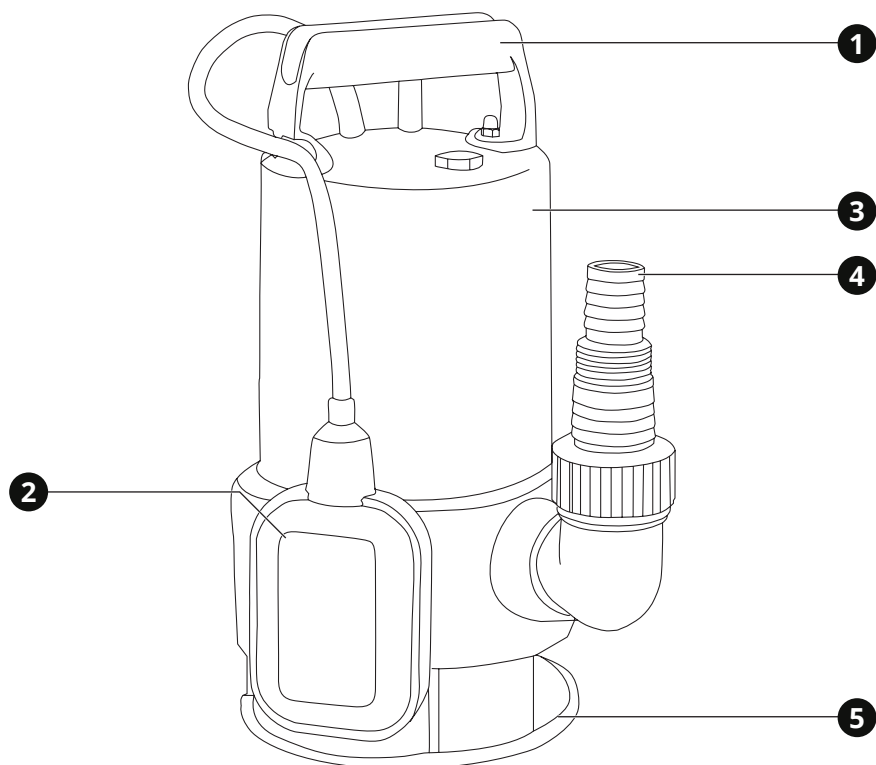


*\* Accessories and contents may change from the production factory without any warnings, in that case the company bears no responsibility.*





## ΕΛΛΗΝΙΚΑ | GR



## 1. Επισκόπηση

### Περιγραφή Εργαλείου

- 1 Λαβή
- 2 Διακόπτης στάθμης (φλοτέρ)
- 3 Περίβλημα αντλίας
- 4 Ψεκαστήρας
- 5 Βάση
- 6 Ψεκαστικό κεφάλι
- 7 Υποδοχή σωλήνα / λάστιχου G1" 1 - 1/4"
- 8 Βάση

## 2. Γενικές οδηγίες ασφαλείας

### ⚠ ΠΡΟΣΟΧΗ:

**Αποσυνδέστε το φως από την πρίζα πριν προχωρήσετε σε συναρμολόγηση, παραμετροποιήσεις ή αλλαγή αξεσουάρ.**

*Τέτοια προληπτικά μέτρα ασφάλειας μειώνουν τον κίνδυνο ακούσιας εκκίνησης του εργαλείου.*

**Διαβάστε προσεκτικά και τηρήστε αυτές τις οδηγίες πριν τη χρήση του εργαλείου.**

*Όταν χρησιμοποιείτε ηλεκτρικά εργαλεία, οι ακόλουθες οδηγίες πρέπει να τηρούνται για τη πρόληψη κινδύνου ηλεκτροπληξίας, προσωπικού τραυματισμού και πυρκαγιάς.*

### Ασφάλεια χώρου εργασίας

- ▶ Διατηρείτε το χώρο εργασίας καθαρό και καλά φωτισμένο. Οι βρώμικοι χώροι και οι σκοτεινοί πάγκοι εργασίας κρύβουν κινδύνους.
- ▶ Μη λειτουργείτε ηλεκτρικά εργαλεία στη βροχή ή σε υγρά μέρη. Μη χρησιμοποιείτε τα ηλεκτρικά εργαλεία κοντά σε εύφλεκτα υγρά ή αέρια. Τα ηλεκτρικά εργαλεία δημιουργούν σπινθήρες που μπορεί να αναφλέξουν τη σκόνη ή τις αναθυμιάσεις.
- ▶ Κρατήστε τους επισκέπτες και τα παιδιά μακριά ενώ λειτουργείτε ένα ηλεκτρικό εργαλείο. Κάθε απόσπαση της προσοχής σας μπορεί να προκαλέσει απώλεια ελέγχου του εργαλείου και να προκαλέσει ατύχημα.

### Ασφάλεια ηλεκτρισμού

- ▶ Τα φως των ηλεκτρικών εργαλείων πρέπει να ταιριάζουν με τις πρίζες. Ποτέ μην τροποποιείτε την πρίζα με οποιοδήποτε τρόπο. Μη χρησιμοποιείτε μετατροπείς πρίζας με γειωμένα ηλεκτρικά εργαλεία. Οι πρίζες που δεν έχουν τροποποιηθεί και που ταιριάζουν στο φως θα μειώσουν τον κίνδυνο ηλεκτροπληξίας.
- ▶ Αποφεύγετε σωματική επαφή με γειωμένες επιφάνειες όπως σωλήνες, καλοριφέρ, ψυγεία. Υπάρχει αυξημένος κίνδυνος ηλεκτροπληξίας αν το σώμα σας είναι γειωμένο.

- ▶ Μην εκθέτετε ηλεκτρικά εργαλεία σε συνθήκες βροχής ή σε υγρά. Το νερό που εισέρχεται σε ένα ηλεκτρικό εργαλείο θα αυξήσει τον κίνδυνο ηλεκτροπληξίας.
- ▶ Μην κακομεταχειρίζεστε το καλώδιο. Ποτέ μη χρησιμοποιείτε το καλώδιο για να μεταφέρετε το εργαλείο ή για να το αποσυνδέσετε από την πρίζα τραβώντας το. Φυλάξτε το καλώδιο μακριά από τη ζέστη, το λάδι, κοφτερές επιφάνειες και κινούμενα μέρη. Τα φθαρμένα ή μπερδεμένα καλώδια αυξάνουν τον κίνδυνο ηλεκτροπληξίας.
- ▶ Όταν χρησιμοποιείτε το εργαλείο σε εξωτερικούς χώρους, να χρησιμοποιείτε μόνο προεκτάσεις καλωδίων που είναι κατάλληλες για αντίστοιχη χρήση. Η χρήση ενός τέτοιου καλωδίου μειώνει τον κίνδυνο ηλεκτροπληξίας.

### Προσωπική ασφάλεια

- ▶ Να είστε σε επαγρύπνηση, να προσέχετε τι κάνετε και να χρησιμοποιείτε τη κοινή λογική όταν χρησιμοποιείτε ένα ηλεκτρικό εργαλείο. Μη χρησιμοποιείτε το εργαλείο όταν είστε κουρασμένος ή υπό την επήρεια ναρκωτικών, αλκοόλ ή φαρμακευτικής αγωγής. Μια στιγμή απροσεξίας μπορεί να προκαλέσει σοβαρό προσωπικό τραυματισμό.
- ▶ Χρησιμοποιείτε εξοπλισμό ασφαλείας. Πάντα να φοράτε προστασία για τα μάτια σας. Η χρήση κατάλληλου εξοπλισμού ασφαλείας για τις εκάστοτε συνθήκες εργασίας όπως μάσκα σκόνης, αντιολισθητικά παπούτσια ασφαλείας, κράνος προστασίας ή ωτοασπίδες θα μειώσει τον κίνδυνο προσωπικού τραυματισμού.
- ▶ Αποφύγετε ακούσια εκκίνηση του εργαλείου. Βεβαιωθείτε ότι ο διακόπτης είναι στη θέση OFF πριν το συνδέσετε στην πρίζα. Η μεταφορά εργαλείων που είναι συνδεδεμένα στην πρίζα με το δάκτυλο στο διακόπτη μπορεί να προκαλέσει ατύχημα.
- ▶ Αφαιρέστε τα εργαλεία και κλειδιά ρύθμισης πριν εκκινήσετε το εργαλείο. Αν έχει ξεχαστεί ένα τέτοιο εξάρτημα σε ένα περιτρεφόμενο μέρος του εργαλείου, μπορεί να προκαλέσει προσωπικό τραυματισμό.

- ▶ Μην υπερβάλλετε τεντώνοντας τα σωματικά σας μέρη. Διατηρείστε τη σωστή θέση των ποδιών σας και την ισορροπία σας ανά πάσα στιγμή. Έτσι θα έχετε καλύτερο έλεγχο του ηλεκτρικού εργαλείου σε αναπάντεχες καταστάσεις.
- ▶ Ντυθείτε κατάλληλα. Μη φοράτε χαλαρά ρούχα ή κοσμήματα. Κρατείστε τα μαλλιά, ρούχα και γάντια σας μακριά από κινούμενα μέρη. Τα χαλαρά ρούχα, κοσμήματα ή μακριά μαλλιά ενδέχεται να πιαστούν σε κινούμενα μέρη.
- ▶ Αν παρέχονται εξαρτήματα για εξαγωγή και περισυλλογή σκόνης, βεβαιωθείτε ότι είναι συνδεδεμένα και χρησιμοποιούνται σωστά. Η χρήση τέτοιων εξαρτημάτων μπορεί να μειώσουν κινδύνους που σχετίζονται με τη σκόνη.

## Χρήση και φροντίδα του ηλεκτρικού εργαλείου

- ▶ Μη ζορίζετε το ηλεκτρικό εργαλείο. Χρησιμοποιείστε το κατάλληλο ηλεκτρικό εργαλείο για την κάθε ανάγκη. Το κατάλληλο εργαλείο θα φέρει εις πέρας την εργασία με μεγαλύτερη επιτυχία και ασφάλεια, όταν χρησιμοποιείται για το σκοπό που έχει κατασκευαστεί.
- ▶ Μη χρησιμοποιείτε το ηλεκτρικό εργαλείο αν ο διακόπτης δε γυρνάει στη θέση ON και OFF. Οποιοδήποτε ηλεκτρικό εργαλείο που δεν μπορεί να λειτουργήσει με το διακόπτη είναι επικίνδυνο και πρέπει να επισκευαστεί.
- ▶ Να βγάζετε το φως από την πρίζα πριν προχωρήσετε σε αλλαγές των αξεσουάρ ή σε αποθήκευση. Τέτοια προληπτικά μέτρα ασφαλείας μειώνουν τον κίνδυνο ακούσιας εκκίνησης του εργαλείου.
- ▶ Αποθηκεύστε τα εκτός λειτουργίας ηλεκτρικά εργαλεία σε χώρο που δεν είναι προσβάσιμα σε παιδιά και μην επιτρέπετε να τα λειτουργήσουν άτομα που δεν έχουν την κατάλληλη γνώση ή δεν έχουν διαβάσει το εγχειρίδιο χρήσης. Τα ηλεκτρικά εργαλεία είναι επικίνδυνα στα χέρια μη εκπαιδευμένων ατόμων.
- ▶ Συντηρείστε τα ηλεκτρικά εργαλεία, ελέγξτε την ευθυγράμμιση ή εμπλοκή των κινούμενων τμημάτων, τυχόν ρωγμές

τμημάτων, σύνδεση και κάθε άλλη συνθήκη που μπορεί να το καταστήσει επικίνδυνο και να επηρεάσει τη λειτουργία του. Αν έχει υποστεί ζημιά, πρέπει να επισκευαστεί κατάλληλα από ένα εξουσιοδοτημένο σέρβις πριν χρησιμοποιηθεί. Πολλά ατυχήματα μπορούν να συμβούν από ηλεκτρικά εργαλεία που δεν έχουν συντηρηθεί κατάλληλα.

- ▶ Διατηρείστε τα εργαλεία κοφτερά και καθαρά. Τα εργαλεία κοπής που είναι σωστά διατηρημένα και έχουν κοφτερές άκρες είναι λιγότερο πιθανό να χαλάσουν και είναι πιο εύκολα στον έλεγχο.
- ▶ Χρησιμοποιείτε το ηλεκτρικό εργαλείο, τα αξεσουάρ, τα εξαρτήματα κ.λπ. σύμφωνα με αυτές τις οδηγίες και με τον κατάλληλο τρόπο για το συγκεκριμένο τύπο του ηλεκτρικού εργαλείου, λαμβάνοντας υπόψη τις συνθήκες και την εργασία που πρέπει να πραγματοποιηθεί. Η χρήση του εργαλείου για σκοπούς διαφορετικούς από αυτούς για τους οποίους προορίζεται μπορεί να προκαλέσουν μια επικίνδυνη κατάσταση.

## Επισκευή / Σέρβις

- ▶ Δώστε το εργαλείο σας να επισκευαστεί από έναν εξειδικευμένο ειδικό, χρησιμοποιώντας μόνο γνήσια ανταλλακτικά. Αυτό θα εξασφαλίσει τη διατήρηση της ασφάλειας του ηλεκτρικού εργαλείου.
- ▶ Ακολουθείστε τις οδηγίες για τη λίπανση και την αλλαγή των αξεσουάρ.
- ▶ Διατηρείστε τις λαβές στεγνές, καθαρές και χωρίς την ύπαρξη λαδιού και γράσου.

## 3. Ειδικές οδηγίες ασφαλείας

ΜΗΝ αφήνετε την άνεση και την εξοικείωση με το προϊόν (που αποκτήθηκε από εκτεταμένη χρήση) να αντικαταστήσει την αυστηρή συμμόρφωση με τους κανόνες ασφαλείας των ηλεκτρικών εργαλείων. Αν χρησιμοποιείτε αυτό το εργαλείο με λάθος τρόπο και χωρίς ασφάλεια, μπορεί να υποστείτε κάποιο σοβαρό προσωπικό τραυματισμό.

- 1 Na φοράτε προστατευτικά αυτιών. Η έκθεση σε θόρυβο μπορεί να προκαλέσει απώλεια ακοής.
- 2 Na χρησιμοποιείτε το εργαλείο από τη λαβή του. Η απώλεια ελέγχου μπορεί να προκαλέσει προσωπικό τραυματισμό.
- 3 Όταν πραγματοποιείτε εργασίες όπου το εργαλείο μπορεί να έρθει σε επαφή με κρυφή καλωδίωση ή με το ίδιο το καλώδιο, κρατείστε το εργαλείο με μονωμένες επιφάνειες που παρέχουν τριβή. Η επαφή με ένα γυμνό καλώδιο που φέρει ρεύμα θα καταστήσει ηλεκτροφόρα τα εκτεθειμένα μεταλλικά μέρη του εργαλείου και θα προκαλέσει ηλεκτροπληξία στο χειριστή.
- 4 Na φοράτε κράνος προστασίας, γυαλιά προστασίας και / ή μάσκα προσώπου. Τα κανονικά γυαλιά ή γυαλιά ηλίου ΔΕΝ αποτελούν είδη ασφαλείας. Επίσης συνίσταται να φοράτε μάσκα σκόνης και χοντρά μονωμένα γάντια.
- 5 Βεβαιωθείτε ότι τα αξεσουάρ είναι ασφαλισμένα στη θέση πριν ξεκινήσετε τη λειτουργία του εργαλείου.
- 6 Υπό κανονικές συνθήκες, το εργαλείο είναι σχεδιασμένο να παράγει δονήσεις. Οι βίδες μπορούν εύκολα να χαλαρώσουν, προκαλώντας ζημιά ή ατύχημα. Να ελέγχετε προσεκτικά ότι οι βίδες είναι σφιγμένες πριν τη χρήση.
- 7 Σε κρίο καιρό ή όταν το εργαλείο δεν έχει χρησιμοποιηθεί για αρκετό καιρό, αφήστε το να ζεσταθεί για λίγο λειτουργώντας το σε συνθήκες μηδενικής πίεσης. Με αυτό τον τρόπο θα χαλαρώσει η λίπανση.
- 8 Πάντα να είστε σίγουροι ότι πατάτε γερά στα πόδια σας. Σιγουρευτείτε ότι δεν υπάρχει κάποιος από κάτω όταν χρησιμοποιείτε το εργαλείο σε υψηλές τοποθεσίες.
- 9 Κρατείστε το εργαλείο γερά και με τα δυο σας χέρια.
- 10 Κρατείστε τα χέρια σας μακριά από κινούμενα μέρη.
- 11 Μην αφήνετε το εργαλείο σε λειτουργία. Να το λειτουργείτε μόνο όταν το έχετε στα χέρια σας.
- 12 Μην σημαδεύετε το εργαλείο προς οποιονδήποτε στην περιοχή λειτουργίας.

Κάποιο εξάρτημα ίσως αποκολληθεί με αποτέλεσμα να προκαλέσει σοβαρό τραυματισμό.

- 13 Μην αγγίζετε τα εξαρτήματα κοντά στα κινούμενα μέρη αμέσως μετά τη λειτουργία. Μπορεί τα μέρη του εργαλείου να είναι πολύ ζεστά και να προκαλέσουν εγκαύματα.
- 14 Κάποια υλικά περιέχουν χημικά που μπορεί να είναι τοξικά. Λάβετε μέτρα για να αποφύγετε εισπνοή σκόνης και επαφή με το δέρμα. Ακολουθείστε τις οδηγίες ασφαλείας του παρόχου των υλικών.

## Πρόσθετες οδηγίες ασφαλείας ειδικά για αντλίες

- Μην χρησιμοποιείτε μέρη ή εξαρτήματα που δεν παρέχονται ή δεν συνιστώνται από τον κατασκευαστή. Διαφορετικά, δεν είναι εγγυημένη η απόδοση του μηχανήματος.
- Μην τοποθετείτε την αντλία κρεμώντας την χωρίς υποστήριξη από το σωλήνα παροχής ή το καλώδιο τροφοδοσίας.
- Για να διασφαλιστεί ότι η αντλία λειτουργεί σωστά, ο πυθμένας του φρεατίου πρέπει να διατηρείται απαλλαγμένος από λάσπη και ακαθαρσίες όλων των ειδών.
- Πριν βάλετε την υποβρύχια αντλία σε λειτουργία, παρακαλούμε να ελεγχθούν τα ακόλουθα στοιχεία από έναν ειδικό: Σύνδεση γείωσης και μηδενικό αγωγό.
- Η ασφάλεια διακοπής ρεύματος πρέπει να συμμορφώνεται με τους κανονισμούς ασφαλείας του εργοστασίου παραγωγής ηλεκτρικής ενέργειας και πρέπει να δουλεύει σωστά.
- Οι ηλεκτρικές συνδέσεις πρέπει να προστατεύονται από την υγρασία. Εάν υπάρχει κίνδυνος πλημμύρας, οι ηλεκτρικές συνδέσεις πρέπει να τοποθετούνται σε ψηλότερο σημείο.
- Η κυκλοφορία επιθετικών υγρών, καθώς και η κυκλοφορία λιπαντικών υλικών πρέπει να αποφεύγονται με κάθε κόστος.
- Η αντλία δεν επιτρέπεται να χρησιμοποιείται για άλλα υγρά, ιδιαίτερα καύσιμα κινητήρων, υγρά καθαρισμού και άλλα χημικά προϊόντα. Η ρύπανση του υγρού μπορεί να συμβεί λόγω διαρροής λιπαντικών.

- Η υποβρύχια αντλία με κινητήρα πρέπει να προστατεύεται από τον παγετό.
- Η αντλία πρέπει να προστατεύεται από το να λειτουργεί στεγνή.
- Η αντλία δεν προορίζεται για χρήση από άτομα (συμπεριλαμβανομένων παιδιών) με μειωμένες σωματικές, αισθητηριακές ή διανοητικές ικανότητες ή έλλειψη εμπειρίας και γνώσης, εκτός εάν έχει δοθεί επίβλεψη ή οδηγίες σχετικά με τη χρήση της αντλίας από άτομο υπεύθυνο για την ασφάλειά τους.
- Η ηλεκτρική εγκατάσταση πρέπει να πραγματοποιηθεί σύμφωνα με τους εθνικούς κανόνες καλωδίωσης.
- Αν η στάθμη του νερού μειώνεται πολύ, οποιαδήποτε λάσπη στον άξονα θα στεγνώσει γρήγορα και θα σταματήσει η λειτουργία της αντλίας. Είναι απαραίτητος ο τακτικός έλεγχος της υποβρύχιας αντλίας του κινητήρα (με τη διεξαγωγή δοκιμών εκκίνησης).
- Η αντλία πρέπει να τροφοδοτείται με συσκευή υπολειπόμενου ρεύματος (RCD) με ονομαστικό υπολειπόμενο ρεύμα λειτουργίας που δεν υπερβαίνει τα 30 mA.
- Η υποβρύχια αντλία πρέπει να είναι αναρτημένη από την ειδική λαβή ή να τοποθετείται στον πυθμένα του φρεατίου.

## ΑΠΟΘΗΚΕΥΣΤΕ ΑΥΤΟ ΤΟ ΕΓΧΕΙΡΙΔΙΟ ΧΡΗΣΗΣ

### ⚠ ΠΡΟΣΟΧΗ:

Κατάχρηση ή μη τήρηση των οδηγιών ασφαλείας που αναγράφονται σε αυτό το εγχειρίδιο χρήσης μπορεί να προκαλέσουν σοβαρό προσωπικό τραυματισμό.

## 4. Περιγραφή λειτουργιών και προδιαγραφών

### Προβλεπόμενη χρήση

Η βυθιζόμενη αντλία χρησιμοποιείται κυρίως ως αντλία για υπόγειο. Όταν εγκαθίσταται σε ένα φρεάτιο, η αντλία παρέχει προστασία από την πλημμύρα. Χρησιμοποιείται επίσης όπου υπάρχει νερό που πρέπει να μετακινηθεί από ένα μέρος σε άλλο, π.χ. στο σπίτι, τη γεωργία, την κηπουρική, τα υδραυλικά και σε πολλές άλλες εφαρμογές.

### ⚠ ΠΡΟΣΟΧΗ:

Αν είναι απαραίτητη η αντικατάσταση του καλωδίου παροχής ρεύματος, τότε πρέπει να γίνει από έναν επαγγελματία ώστε να αποφευχθεί κίνδυνος τραυματισμού.

Εργαλείο	4601
Τάση λειτουργίας	230V~50Hz
Ισχύς εισόδου	750 W
Μέγιστη παροχή	13000 l/h
Μέγιστο ύψος εξαγωγής	8 m
Μέγιστο βάθος άντλησης	8 m
Μέγεθος σωματιδίων έως	35 mm
Μέγιστη θερμοκρασία νερού	35°C
Σύνδεση λάστιχου	G1" 1 - ¼"
Καλώδιο ρεύματος	8 m
Βάρος	5 kg

### Εγκατάσταση

Η υποβρύχια αντλία εγκαθίσταται ως εξής: Σε σταθερή θέση με σταθερό αγωγό ή σε σταθερή θέση με εύκαμπτο σωλήνα.

### Πριν ξεκινήσετε, προσέξτε τα εξής:

Η αντλία μπορεί να συνδεθεί σε οποιαδήποτε φως που προστατεύεται και έχει εγκατασταθεί σύμφωνα με τους κανονισμούς. Το φως πρέπει να έχει τάση τροφοδοσίας 230 V ~ 50 Hz.

### Παροχή ρεύματος

Η υποβρύχια αντλία σας είναι εξοπλισμένη με φως σύμφωνα με τους κανονισμούς. Η αντλία είναι σχεδιασμένη να συνδέεται σε πρίζα ασφαλείας 220/230 V ~ 50 Hz.

Βεβαιωθείτε ότι η υποδοχή είναι επαρκώς ασφαλισμένη (τουλάχιστον 6 Amp) και είναι σε άριστη κατάσταση. Εισάγετε το φως στην πρίζα και η αντλία είναι έτοιμη.

### Ρύθμιση λειτουργίας

Αφού διαβάσετε προσεκτικά αυτές τις οδηγίες, μπορείτε να ρυθμίσετε την αντλία σας να λειτουργεί, αναθεωρώντας τα παρακάτω θέματα:

- Ελέγξτε εάν η αντλία βρίσκεται στο έδαφος του φρεατίου.
- Ελέγξτε αν ο σωλήνας πίεσης έχει συνδεθεί σωστά.
- Ελέγξτε αν η ηλεκτρική σύνδεση είναι 230V ~ 50Hz.
- Ελέγξτε αν η υποδοχή είναι σε καλή κατάσταση.
- Βεβαιωθείτε ότι το νερό και η υγρασία δεν μπορούν να φτάσουν στο τροφοδοτικό.
- Αποφύγετε να λειτουργείτε στεγνή την αντλία.

### **i ΣΗΜΕΙΩΣΗ:**

Το φρεάτιο στο οποίο λειτουργείτε την αντλία πρέπει να έχει ελάχιστες διαστάσεις 40 x 40 x 50 cm, έτσι ώστε το φλοτέρ να μπορεί να κινείται ελεύθερα.

## **Ρύθμιση του σημείου λειτουργίας ON / OFF**

Το σημείο λειτουργίας ON και OFF του φλοτέρ μπορεί να οριστεί ρυθμίζοντας το στο σωλήνα του. Πριν θέσετε σε λειτουργία την αντλία, ελέγξτε τα παρακάτω:

- Το φλοτέρ πρέπει να τοποθετηθεί έτσι ώστε να μπορεί να φτάσει εύκολα και με μικρή ισχύ στο σημείο λειτουργίας ON και στο σημείο διακοπής λειτουργίας OFF. Για να το ελέγξετε, τοποθετήστε την αντλία σε ένα δοχείο γεμάτο με νερό, σηκώστε προσεκτικά το φλοτέρ με το χέρι και στη συνέχεια χαμηλώστε ξανά. Καθώς το κάνετε, ελέγξτε αν η αντλία ενεργοποιείται και απενεργοποιείται.
- Βεβαιωθείτε ότι η απόσταση μεταξύ της κεφαλής του φλοτέρ και του σωλήνα του δεν είναι πολύ μικρή. Η σωστή λειτουργία δεν είναι εγγυημένη αν το χάσμα είναι πολύ μικρό.
- Όταν ρυθμίζετε το φλοτέρ, βεβαιωθείτε ότι δεν αγγίζει τη βάση, πριν απενεργοποιηθεί η αντλία.

### **! ΠΡΟΕΙΔΟΠΟΙΗΣΗ:**

Κίνδυνος στεγνώματος. Αποφύγετε να στεγνώσει η αντλία.

## **5. Συντήρηση**

Ο σωστός και τακτικός καθαρισμός θα βελτιώσει την ασφάλεια και θα επεκτείνει τη διάρκεια ζωής του εργαλείου.

**Για ασφαλή και σωστή εργασία, πάντα να κρατάτε καθαρές τις υποδοχές εξαιρισμού και το ίδιο το εργαλείο σε καλή κατάσταση.**

Το εργαλείο μπορεί να καθαριστεί αποτελεσματικά με ξηρό συμπιεσμένο αέρα ή με ένα μαλακό πανί βρεγμένο με σαπουνόνερο.

**Πάντα να φοράτε προστατευτικά ματιών όταν καθαρίζετε τα εργαλεία με συμπιεσμένο αέρα.**

**Ορισμένα καθαριστικά μέσα και διαλύτες μπορεί να προκαλέσουν βλάβη σε πλαστικά μέρη.** Κάποια από αυτά είναι: βενζίνη,

τετραχλωράνθρακας, χλωριωμένοι διαλύτες καθαρισμού, αμμωνία και οικιακά απορρυπαντικά που περιέχουν αμμωνία.

Αποθηκεύστε το εργαλείο, το εγχειρίδιο χρήσης και όπου είναι απαραίτητο τα αξεσουάρ στη γνήσια συσκευασία. Με αυτό τον τρόπο θα έχετε πάντα όλη την πληροφορία και τα διάφορα μέρη στη διάθεσή σας.

### **! ΠΡΟΣΟΧΗ:**

Απενεργοποιήστε το εργαλείο, αποσυνδέστε την από το ρεύμα και περιμένετε μέχρι να κρυώσει πριν από τον καθαρισμό ή τη συντήρηση για να αποφύγετε ηλεκτροπληξία ή εγκαύματα.

## **Οδηγίες συντήρησης**

- Αφαιρέστε τη πρίζα πριν από όλες τις εργασίες συντήρησης.
- Σε περίπτωση που η αντλία μεταφέρεται συχνά κατά τη διάρκεια της λειτουργίας, πρέπει να καθαρίζεται με καθαρό νερό μετά από κάθε χρήση.
- Σε περίπτωση μόνιμης εγκατάστασης, η λειτουργία του φλοτέρ πρέπει να ελέγχεται κάθε 3 μήνες. Όλα τα ινώδη σωματίδια που έχουν δημιουργηθεί μέσα στο περίβλημα της αντλίας πρέπει να αφαιρεθούν με πίεση νερού.
- Κάθε 3 μήνες η βάση και η φτερωτή πρέπει να καθαρίζονται από λάσπη.
- Αφαιρέστε τις επικαθίσεις στο φλοτέρ με καθαρό νερό.

## Καθαρισμός της φτερωτής

Εάν συγκεντρωθούν υπερβολικές ποσότητες ακαθαρσιών στο περίβλημα της αντλίας, πρέπει να αποσυναρμολογήσετε το κάτω μέρος της αντλίας ως εξής:

- ❶ Αφαιρέστε τον κλωβό εισαγωγής από το περίβλημα της αντλίας.
- ❷ Καθαρίστε την φτερωτή με καθαρό νερό.
- ❸ Συναρμολογήστε με αντίστροφη σειρά.

### ⚠ ΣΗΜΑΝΤΙΚΟ:

Μην βάζετε κάτω ή στήριζετε την αντλία στην φτερωτή!



**Να φοράτε προστατευτικά αυτιών**



**Να φοράτε προστατευτικά ματιών**



**Να φοράτε μάσκα για τη σκόνη**

## 6. Εγγύηση

Αυτό το εργαλείο έχει ελεγχθεί από τον κατασκευαστή. Από την ημερομηνία αγοράς από τον τελικό καταναλωτή, η εγγύηση δύο ετών για **ερασιτεχνική χρήση** καλύπτει κάθε ελαττωματικό υλικό και κατασκευή. Η απόδειξη ή το τιμολόγιο αγοράς πρέπει να επιδεικνύεται σε περίπτωση επισκευής που καλύπτεται από την εγγύηση. Για πιθανές βλάβες κατά τη διάρκεια της περιόδου εγγύησης, θα πρέπει να απευθυνθείτε στο κατάστημα λιανικής πώλησης από το οποίο πραγματοποιήθηκε η αγορά.

### Όροι εγγύησης

Η εγγύηση ισχύει μόνο όταν:

- Το εργαλείο έχει χρησιμοποιηθεί σωστά και για τον σκοπό για τον οποίο αγοράστηκε.
- Το εργαλείο παρουσιάζει ένα πρόβλημα που οφείλεται σε ελαττωματικό υλικό και κατασκευή.
- Το εργαλείο αδυναμεί να εκτελέσει εργασίες σύμφωνα με τις τεχνικές προδιαγραφές που παρέχονται.

Δεν καλύπτονται από την εγγύηση ζημιές που οφείλονται σε αιτίες όπως:

- Φθορά λόγω ακατάλληλης χρήσης.
- Μερική ή ολική αποσυναρμολόγηση. Η αποσυναρμολόγηση πρέπει να γίνεται μόνο από προσωπικό εξουσιοδοτημένο από τον επίσημο διανομέα.
- Ζημιές λόγω υπερφόρτωσης.
- Χρήση εσφαλμένου ή ασύμβατου εξαρτήματος.
- Κακή συντήρηση από τον χειριστή ή οποιοδήποτε άλλο τρίτο μέρος.
- Φθορά που προκλήθηκε από εξωτερικούς παράγοντες ή ξένα σωματίδια (σκόνη, μπάζα κ.λπ.)
- Φθορά λόγω μη συμμόρφωσης με τις οδηγίες αυτού του εγχειριδίου.

Εάν, κατά τη διάρκεια της περιόδου εγγύησης, υπάρχει ζημιά που δεν μπορεί να επισκευαστεί από το εξουσιοδοτημένο τμήμα σέρβις, το εργαλείο θα αντικατασταθεί χωρίς πρόσθετο κόστος.

## 7. Επισκευή / Σέρβις

Σε περίπτωση ανάγκης για επισκευή μετά τη λήξη της περιόδου εγγύησης, θα δώσουμε την καλύτερη δυνατή προσοχή για την επιτυχή επιδιόρθωση του εργαλείου.

## 8. Περιβάλλον



Μην απορρίπτετε τις ηλεκτρικές μηχανές ως αστικά απόβλητα χωρίς διαλογή, χρησιμοποιήστε χωριστές εγκαταστάσεις συλλογής.

Επικοινωνήστε με τα συστήματα συλλογής τοπικής κυβέρνησης που είναι διαθέσιμα. Εάν τα ηλεκτρικά μηχανήματα απορρίπτονται σε χώρους υγειονομικής ταφής ή χωματερές, επικίνδυνες ουσίες μπορεί να διαρρεύσουν στα υπόγεια ύδατα και να εισέλθουν στην τροφική αλυσίδα, βλάπτοντας την υγεία και την ευημερία.

Κατά την αντικατάσταση των παλαιών μηχανημάτων με καινούργια, ο έμπορος λιανικής θα χαρεί να πάρει πίσω το παλιό σας μηχανήμα για απόρριψη.



## 9. Δήλωση Συμμόρφωσης

### Εξουσιοδοτημένος Αντιπρόσωπος

#### ΠΑΠΑΔΕΑΣ Α.Ε.

Ηρώων 1912 4-6, 13671, Αχαρναί, Ελλάδα

Δια της παρούσης δηλώνεται ότι:

Το **Υποβρύχια Αντλία Ακαθάρτων Υδάτων με ΚΩΔΙΚΟ: 4601** και διακριτικό τίτλο: **Q1DP-750N2** υπό την επωνυμία **KRAUSMANN** (Περιγραφή: αντλία νερού ανοξείδωτη, 230V/50Hz, Ισχύς εισόδου: 750W. Μεγ. ύψος: 8m, Μεγ. βάθος: 8m, μεγ. σωματιδίων έως 35mm, Παροχή: 13000l/h, Διάμετρος σωλήνα: 1" & 1 1/4", Καλώδιο 8m, σε έγχρωμο κουτί), είναι σχεδιασμένο σύμφωνα με τη διάταξεις των Οδηγιών 22014/30/EU, 2014/35/EU και σύμφωνα με τα ακόλουθα πρότυπα: EN 55014-1:2017, EN 55014-2:2015, EN61000-3-2:2019, EN61000-3-3:2013+A1.

Έτος απόκτησης "CE" πιστοποίησης: 2020

Ημερομηνία: 29 Μαΐου 2020



*\* Τα αξεσουάρ και τα περιεχόμενα ενδέχεται να αλλάξουν από το εργοστάσιο παραγωγής χωρίς προειδοποίηση, σε αυτή την περίπτωση η εταιρεία δεν φέρει καμία ευθύνη.*



# Notes / Σημειώσεις

---

---

---

---

---

---

---

---

---

---

---

---

---

---

---

---

---

---

---

---

---

---

---

---

---

---

---

---

---

---

**KRAUSMANN**  
POWER TOOLS

**RELIABLE PERFORMANCE**

**4601**

[www.krausmann.gr](http://www.krausmann.gr)

